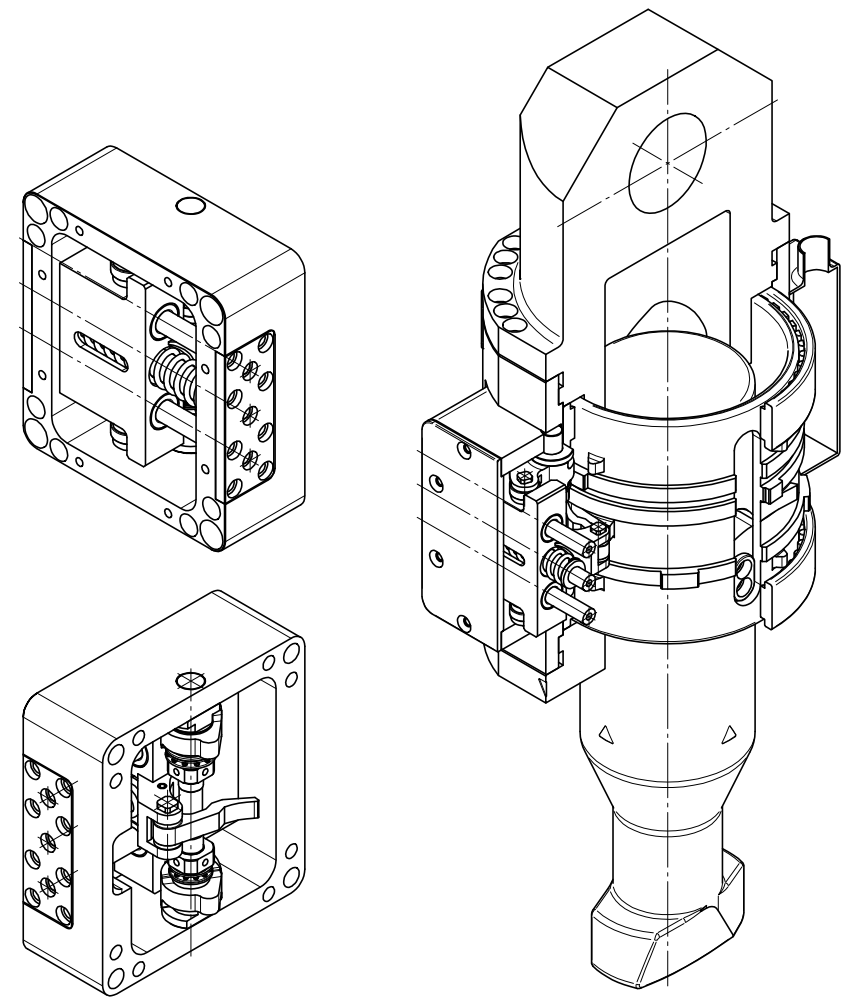
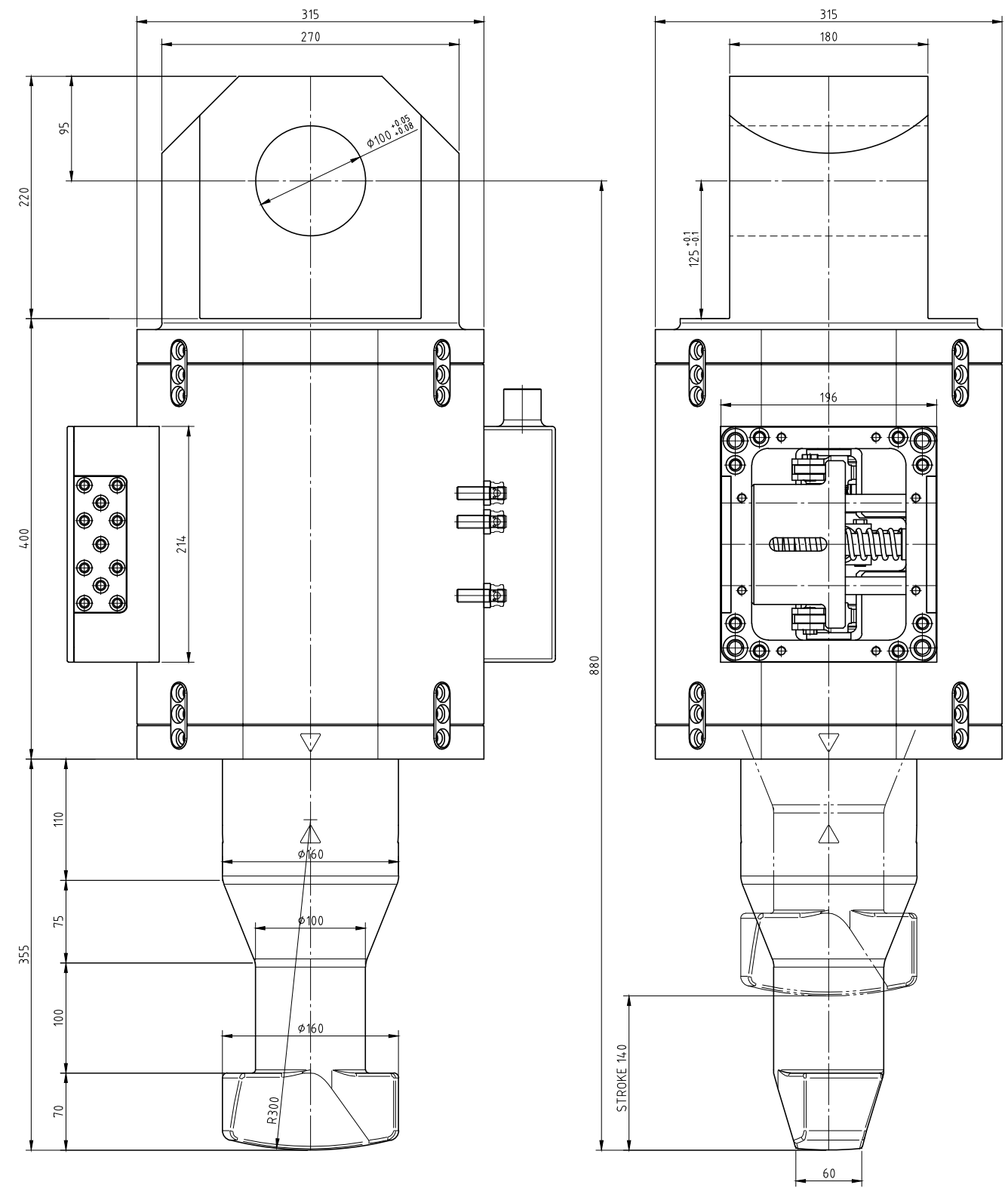


1	2	3	4	5	6	7	8	9	10			
지시의 용접처수	지시의 모서리부분	지시의 일반처수 허용차 (KSB ISO 2768-1)	표면 거칠기 (KSB 0161, 0507, 0617)									
지시의 일반 모서리 제기 C = 0.3~0.8 R = 0.3~0.8	철삭 가공부 공차급	구분 0.5 ~ 6 6 ~ 30 30 ~ 120 120 ~ 400 400 ~ 1000 1000 ~ 2000 2000 ~ 4000	Ra	0.4	0.8	1.6	3.2	6.3	12.5	25	50	100
		공차급	대입표	▽	▽▽	▽▽▽	▽▽▽▽	▽▽▽▽▽	▽▽▽▽▽▽	▽▽▽▽▽▽▽	▽▽▽▽▽▽▽▽	▽▽▽▽▽▽▽▽▽

NO.	DATE	REVISION & DESCRIPTION	SIGNATURE	
			CHECKED	REVIEWED

(A) SMART TONG KEY (MAKER STANDARD)



A TONG KEY		SET	1	KD-T 880 3S AA										
NO.	DESCRIPTION	MAT(KS)	UNIT QUANTITY	TOTAL PERUNIT WEIGHT(kg)	REMARK'S									
<table border="1"> <tr> <td>TITLE</td> <td>TONGS PLANT</td> <td>SMART TONG KEY - KD-T 880 3S AA</td> <td>EQUIPMENT</td> <td>-</td> </tr> <tr> <td colspan="3">공통 FACILITY GENERAL ASSEMBLY</td> <td>SHEET No.</td> <td>S00A00-2000M0000</td> </tr> </table>					TITLE	TONGS PLANT	SMART TONG KEY - KD-T 880 3S AA	EQUIPMENT	-	공통 FACILITY GENERAL ASSEMBLY			SHEET No.	S00A00-2000M0000
TITLE	TONGS PLANT	SMART TONG KEY - KD-T 880 3S AA	EQUIPMENT	-										
공통 FACILITY GENERAL ASSEMBLY			SHEET No.	S00A00-2000M0000										
SIGNATURE	DRAWN	CHECKED	REVIEWED	APPROVED	DATE									
	S.J.SIM	S.J.SIM	S.J.SIM	Y.S.JEE										
SUPPLIER				DWG. NO.	01P-C000M000000000									